

INOX-IRIS

General description

Ideal regulator of air flow with measuring device.

For use on round ducting.



Technical specifications

Consists of a body and diaphragm made out of stainless steel (SS 316L).

ABS adjusting device to move with the supplied key or screwdriver.

Rubber measuring tappings for connection to a pressure gauge.

Class «C» air tightness.

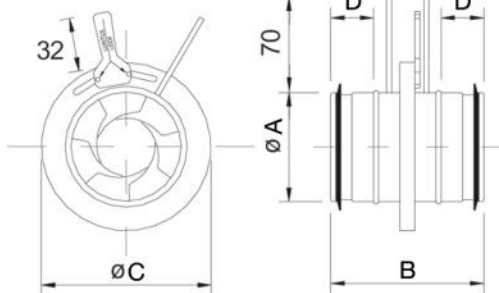
Diameters 80 up to 800 mm (please consult for other dimensions).

Gaskets for tight connection with the duct.

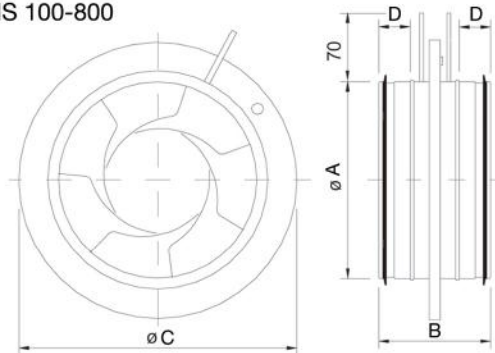
Service temperature from -10 °C to +80 °C.

Dimensions and weight

IRIS 80



IRIS 100-800



DESCRIPTION	A (mm)	B (mm)	C (mm)	D (mm)	POIDS (kg)
IRIS-80	79	115	125	35	0,5
IRIS-100	99	115	165	30	0,6
IRIS-125	124	115	188	30	0,7
IRIS-160	159	115	230	30	1,0
IRIS-200	199	120	285	30	1,4
IRIS-250	249	135	335	40	2,0
IRIS-315	314	140	405	40	2,6
IRIS-400	399	150	525	55	6,5
IRIS-500	499	150	655	52	9,0
IRIS-630	629	160	815	60	16,0
IRIS-800	799	290	1015	120	25,0

Information contained herein is based on careful tests and experience. It reflects our knowledge and is for guidance purpose only. It is given in good faith and user should ensure that the product is fit for purpose before any application. The quoted values are average and should not be taken as maximum or minimum values for specific purposes. Manufacturer and distributor are not responsible for any non-recommended use or consequential damage.

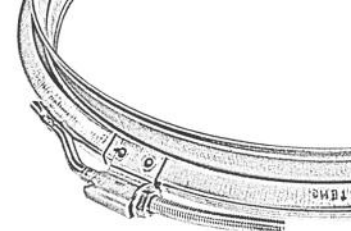
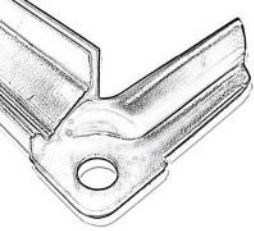
2016.06.20



NEU 6000, S.A.

Pol. Ind. "La Torre"
Av. Joaquim de Barnola i Bassols, 6
08760 Martorell - Barcelona
SPAIN

T. +34 93 774 57 09
F. +34 93 774 18 33
neu@rami-system.es
www.rami-system.es



INOX-IRIS

Application

To obtain a correct accuracy of flow measurement and proper regulation, implementation rules must be followed. Compliance with these guidelines will insure optimal operation of the equipment.

INOX-IRIS damper operate independently of the air flow direction.

TYPICAL EXAMPLE OF LOCATION	RECOMMENDED SAFETY DISTANCE L	
	± 7%	± 10 %
	≥ 1 D	≥ 1 D
	≥ 4 D	≥ 2 D
	≥ 2 D	≥ 2 D
	≥ 2 D	≥ 2 D

Information contained herein is based on careful tests and experience. It reflects our knowledge and is for guidance purpose only. It is given in good faith and user should ensure that the product is fit for purpose before any application. The quoted values are average and should not be taken as maximum or minimum values for specific purposes. Manufacturer and distributor are not responsible for any non-recommended use or consequential damage.

2016.06.20



NEU 6000, S.A.

Pol. Ind. "La Torre"
 Av. Joaquim de Barnola i Bassols, 6
 08760 Martorell - Barcelona
 SPAIN

T. +34 93 774 57 09
 F. +34 93 774 18 33
 neu@rami-system.es
 www.rami-system.es