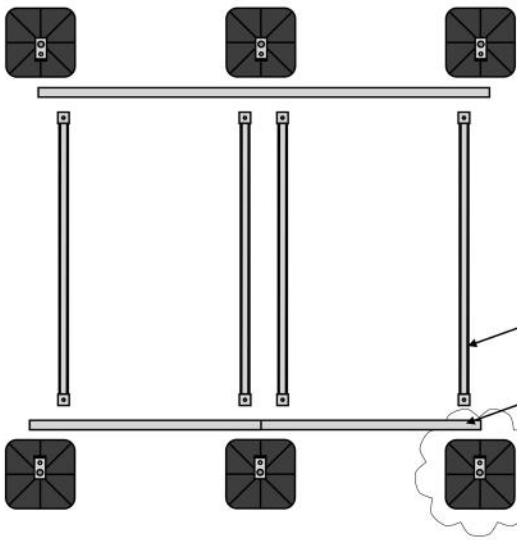


StrutFoot

Universal Flat Roof Support System



Designed & Manufactured in the UK



Ultra Frame Kits - General Assembly Guidelines

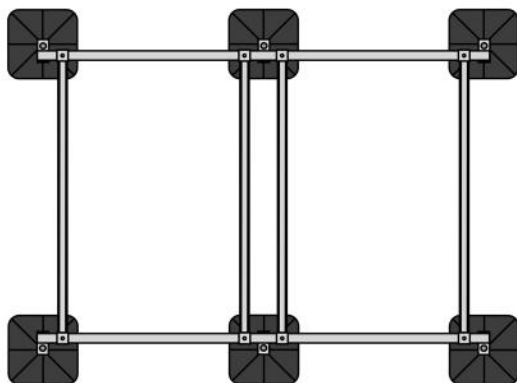
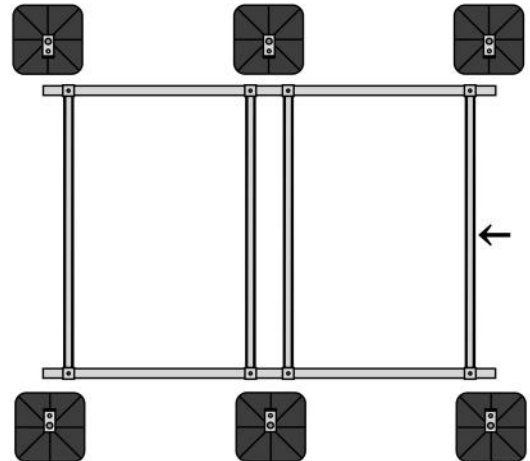
Check you have all required components prior to installation

Lay out all components in the desired location



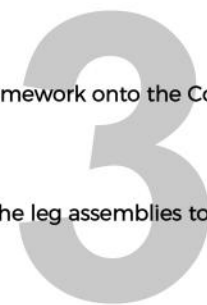
Guide the Sliding Arms onto the Side Rails, then fix at the desired position. For ease of installation we recommend installing the Sliding Arms with the open side up.

Position the Complete Leg Assemblies.



Lift the assembled framework onto the Complete Leg Assemblies & secure.

Adjust the height of the leg assemblies to level, then secure.



Check all fixings are secure prior to unit installation

Position the units to suit & secure using the fixing kit provided

