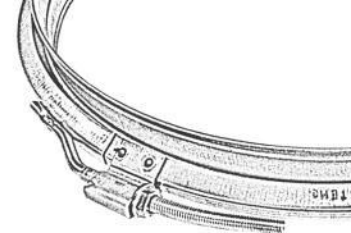
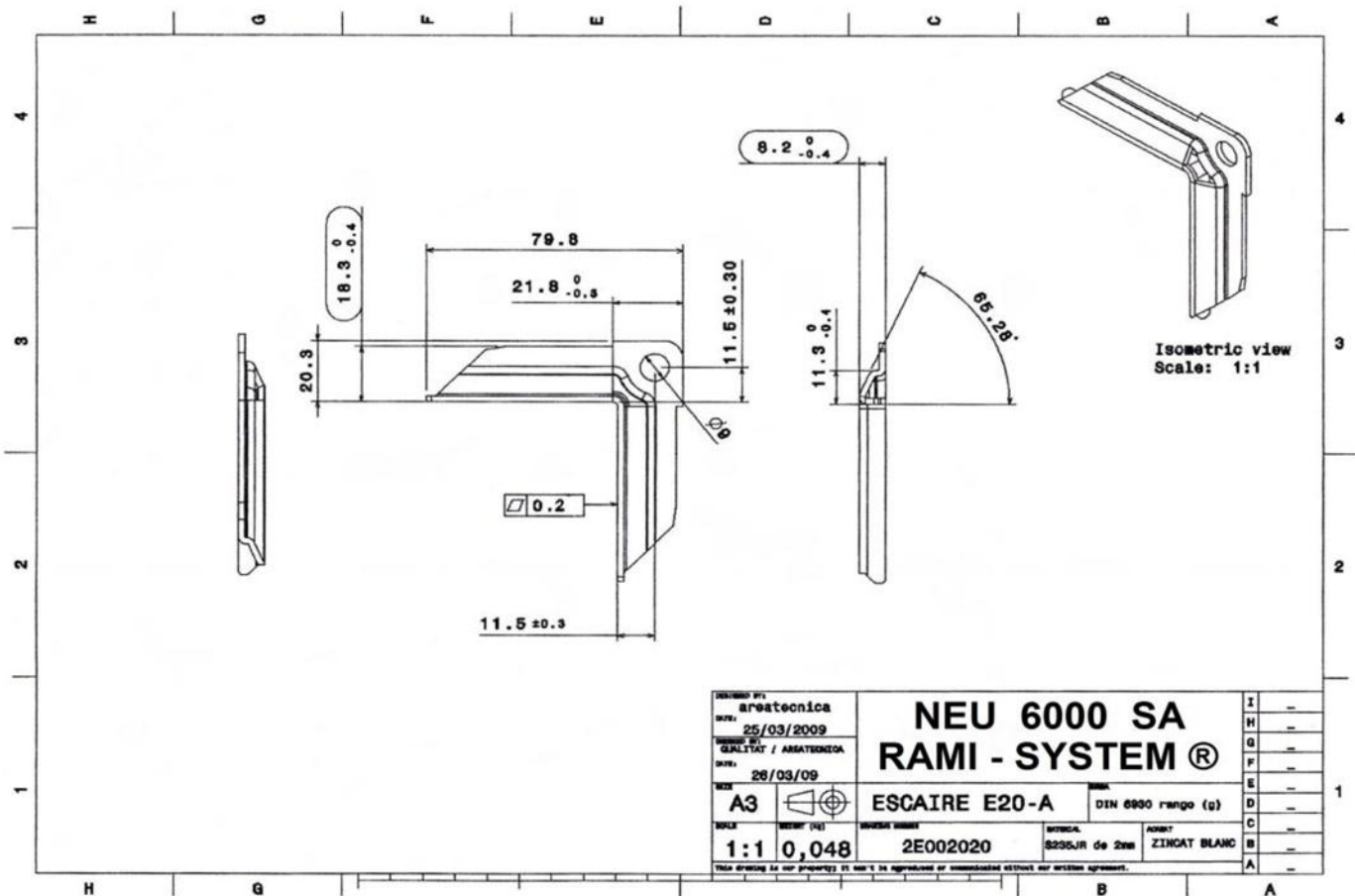


HVAC accessories manufacturer since 1986



TECHNICAL DATA SHEET 20-A RAMI-SYSTEM® CORNER

RAMI-SYSTEM® IDENTIFICATION CODE	2E002020
PRODUCT NAME	GALVANIZED CORNER SIZE 20-A
PRODUCT'S APPLICATION FIELD	ALL RAMI-SYSTEM® 20 mm FLANGES
MATERIAL SPECIFICATION	GALVANIZED STEEL DX51-Z275 MAC
THICKNESS (mm)	2,0
PCS / BOX	500
GROSS WEIGHT / BOX (Kg)	21,0



DESIGNED BY areatecnica DATE: 25/03/2009		NEU 6000 SA RAMI - SYSTEM®		I	-
CHECKED BY QUALITAT / AMATEKNICIA DATE: 26/03/09				H	-
SIZE A3	SCALE 1:1	PRODUCT NAME ESCAIRE E20-A	STANDARD DIN 6980 range (g)	G	-
IDENTIFICATION CODE 2E002020	MATERIAL S235JR de 2mm	FINISH ZINCAT BLANC	FINISH ZINCAT BLANC	F	-
This drawing is our property. It may not be reproduced without our written agreement.			FINISH ZINCAT BLANC	E	-
			FINISH ZINCAT BLANC	D	-
			FINISH ZINCAT BLANC	C	-
			FINISH ZINCAT BLANC	B	-
			FINISH ZINCAT BLANC	A	-

Information contained herein is based on careful tests and experience. It reflects our knowledge and is for guidance purpose only. It is given in good faith and user should ensure that the product is fit for purpose before any application. The quoted values are average and should not be taken as maximum or minimum values for specific purposes. Manufacturer and distributor are not responsible for any non-recommended use or consequential damage.



NEU 6000, S.A.

Pol. Ind. "La Torre"
 Av. Joaquim de Barnola i Bassols, 6
 08760 Martorell - Barcelona
 SPAIN

T. +34 93 774 57 09
 F. +34 93 774 18 33
 neu@rami-system.es
 www.rami-system.es