

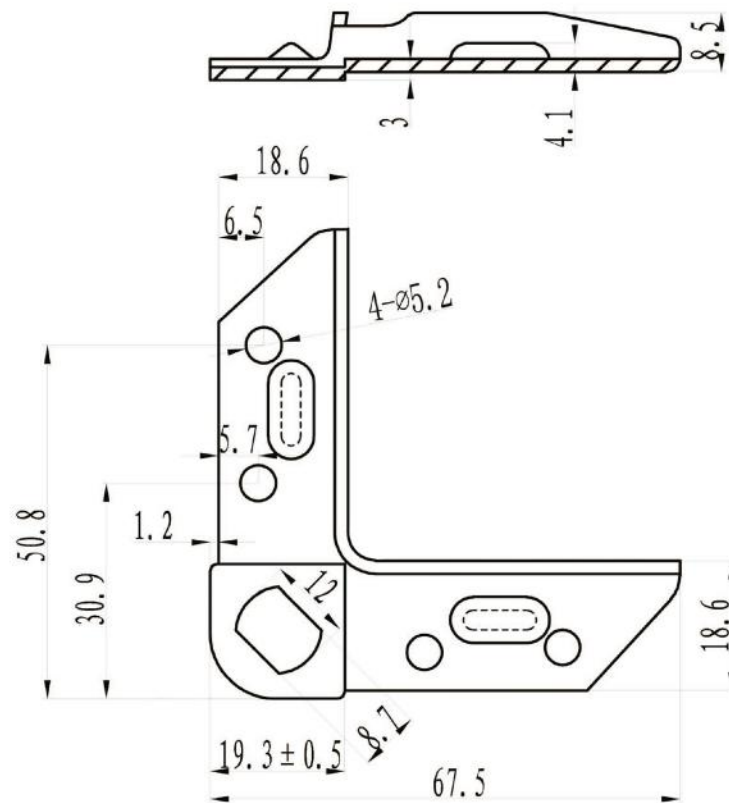
TECHNICAL DATA SHEET HI-20 CORNER

1. General data

- The AHI corners are specially designed for multiple types of rectangular flanges.



2. Blueprints and details



Unmarked tolerances according to:

0~6	±0.2
6~30	±0.3
30~100	±0.5

Information contained herein is based on careful tests and experience. It reflects our knowledge and is for guidance purpose only. It is given in good faith and user should ensure that the product is fit for purpose before any application. The quoted values are average and should not be taken as maximum or minimum values for specific purposes. Manufacturer and distributor are not responsible for any non-recommended use or consequential damage.



NEU 6000, S.A.

Pol. Ind. "La Torre"
Av. Joaquim de Barnola i Bassols, 6
08760 Martorell - Barcelona
SPAIN

T. +34 93 774 57 09
F. +34 93 774 18 33
neu@rami-system.es
www.rami-system.es