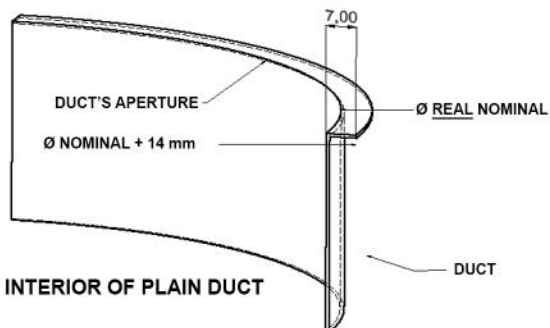
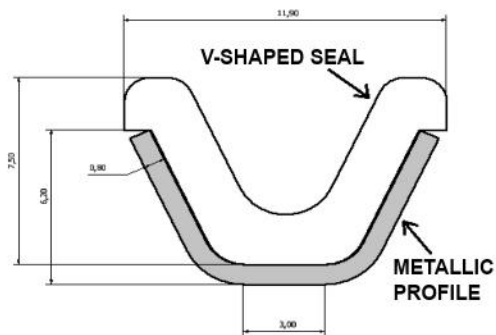




TECHNICAL DATA SHEET FLANGE RING STRAIGHT SEAMED DUCT

RAMI-SYSTEM® IDENTIFICATION CODE	1B060XXX
PRODUCT NAME	GALVANIZED FLANGE RING STRAIGHT SEAMED DUCT
PRODUCT DESCRIPTION	BT/BP - L - JS - XXX
CHARACTERISTICS FOR THE UNION DUCTS	CIRCULAR DUCTS OF SMOOTH METAL SHEET
PRODUCT'S APPLICATION FIELD	MATTER DRAGGING EXTRACTION INSTALLATION
MATERIAL SPECIFICATION	GALVANIZED STEEL 8/10. DX51+Z275 MAC
V-SHAPED SEAL (mm)	SYMMETRICAL RUBBER SEAL M1 COLOR BLACK
SEALING LEVEL OF UNIONS	C CLASS
WORKING TEMPERATURE RANGE (° C)	- 20 / +80° C
CLOSURE SYSTEM	M-6 / M-8 THREAD / CLASP
AVAILABLE DIAMETERS (STANDARD PERFORMING)	FROM Ø 100 TO Ø 1000 mm
OPTIONAL VARIATION (ASIMETRIC SEAL)	TELESCOPIC DUCTS ATTACHMENT AND SEALING
OTHER FABRICATION OPTIONS	STAINLESS STEEL - CERAMIC GASKET 1000°



Information contained herein is based on careful tests and experience. It reflects our knowledge and is for guidance purpose only. It is given in good faith and user should ensure that the product is fit for purpose before any application. The quoted values are average and should not be taken as maximum or minimum values for specific purposes. Manufacturer and distributor are not responsible for any non-recommended use or consequential damage.



NEU 6000, S.A.

Pol. Ind. "La Torre"
 Av. Joaquim de Barnola i Bassols, 6
 08760 Martorell - Barcelona
 SPAIN

T. +34 93 774 57 09
 F. +34 93 774 18 33
 neu@rami-system.es
 www.rami-system.es