

TECHNICAL DATA SHEET SIB-R

General description

The rubber vibration dampers (synthetic elastomer) can be used alone or in combination with suspension brackets.

Used as anti-vibration protection of the air duct, they absorb the vibration transmissions.

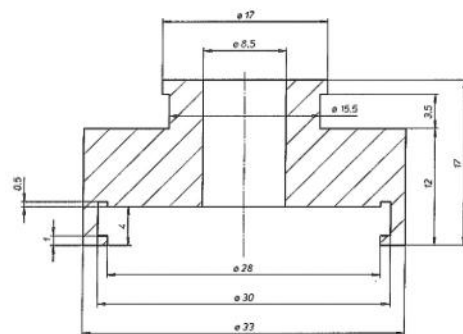
The vibration dampers are delivered «ready to use»: the washer is pre-assembled and mounted in the rubber element.



Technical specifications

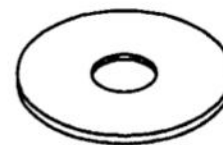
SILENTBLOCK

Material	Rubber (synthetic elastomer)
Hardness	55 Shore A
Color	Black
Height	17 mm
External diameter	33 mm
Max. Load (Kg)	35 Kg



WASHERS

Material	Galvanized Steel
External diameter	30 mm



Information contained herein is based on careful tests and experience. It reflects our knowledge and is for guidance purpose only. It is given in good faith and user should ensure that the product is fit for purpose before any application. The quoted values are average and should not be taken as maximum or minimum values for specific purposes. Manufacturer and distributor are not responsible for any non-recommended use or consequential damage.



NEU 6000, S.A.

Pol. Ind. "La Torre"
 Av. Joaquim de Barnola i Bassols, 6
 08760 Martorell - Barcelona
 SPAIN

T. +34 93 774 57 09
 F. +34 93 774 18 33
 neu@rami-system.es
 www.rami-system.es